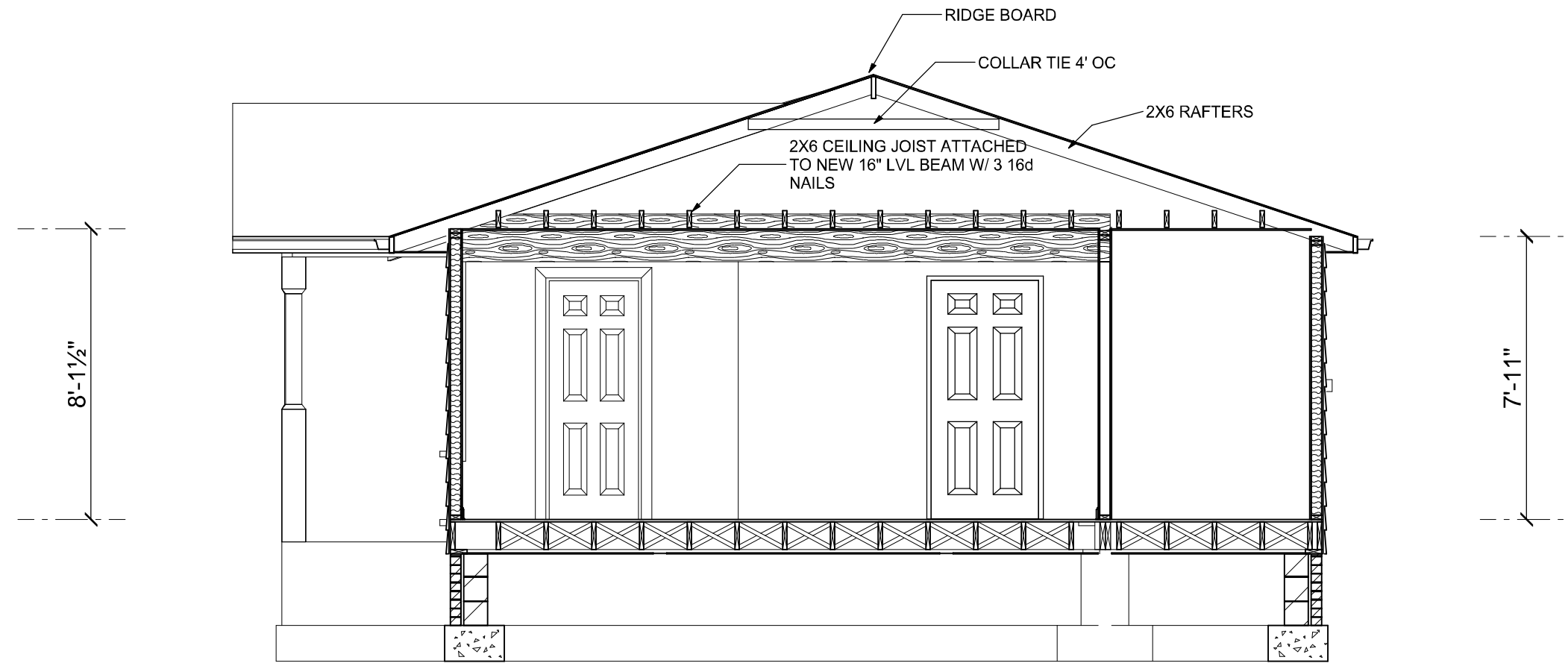
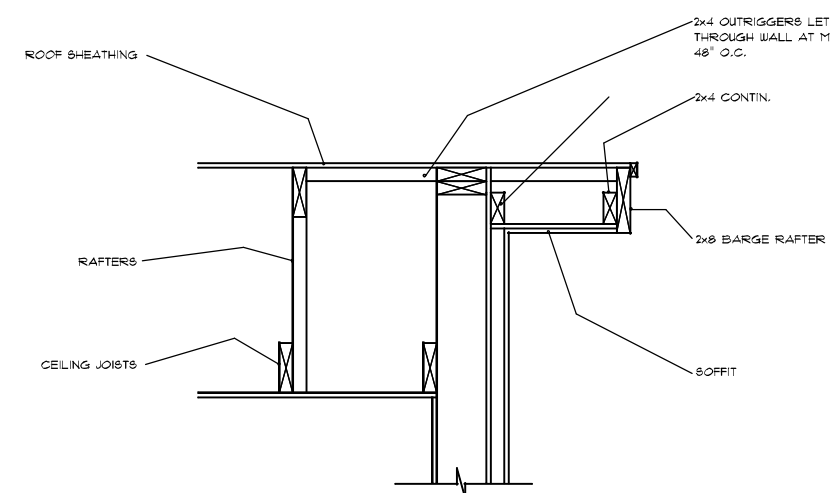


ROOF VENTILATION SOFFITED EAVE SIDING



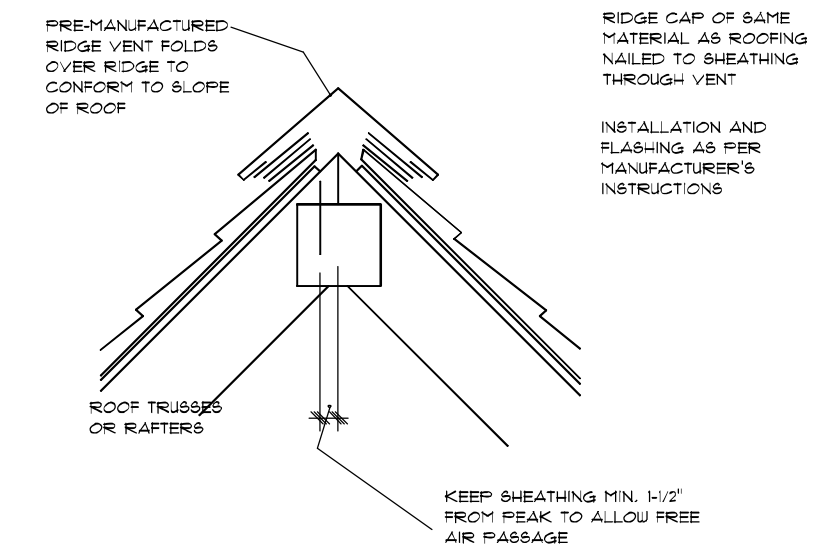
SECTION A



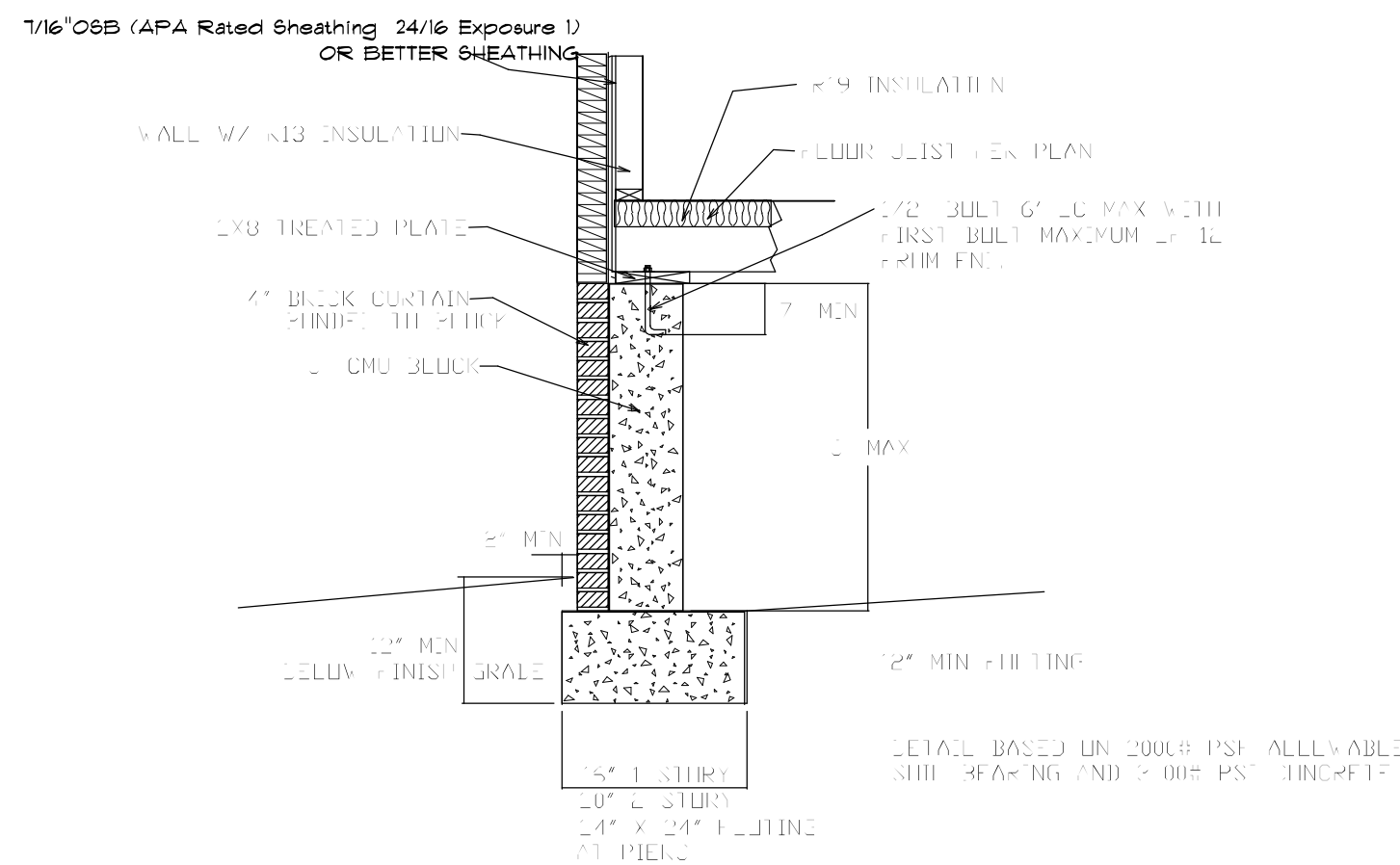
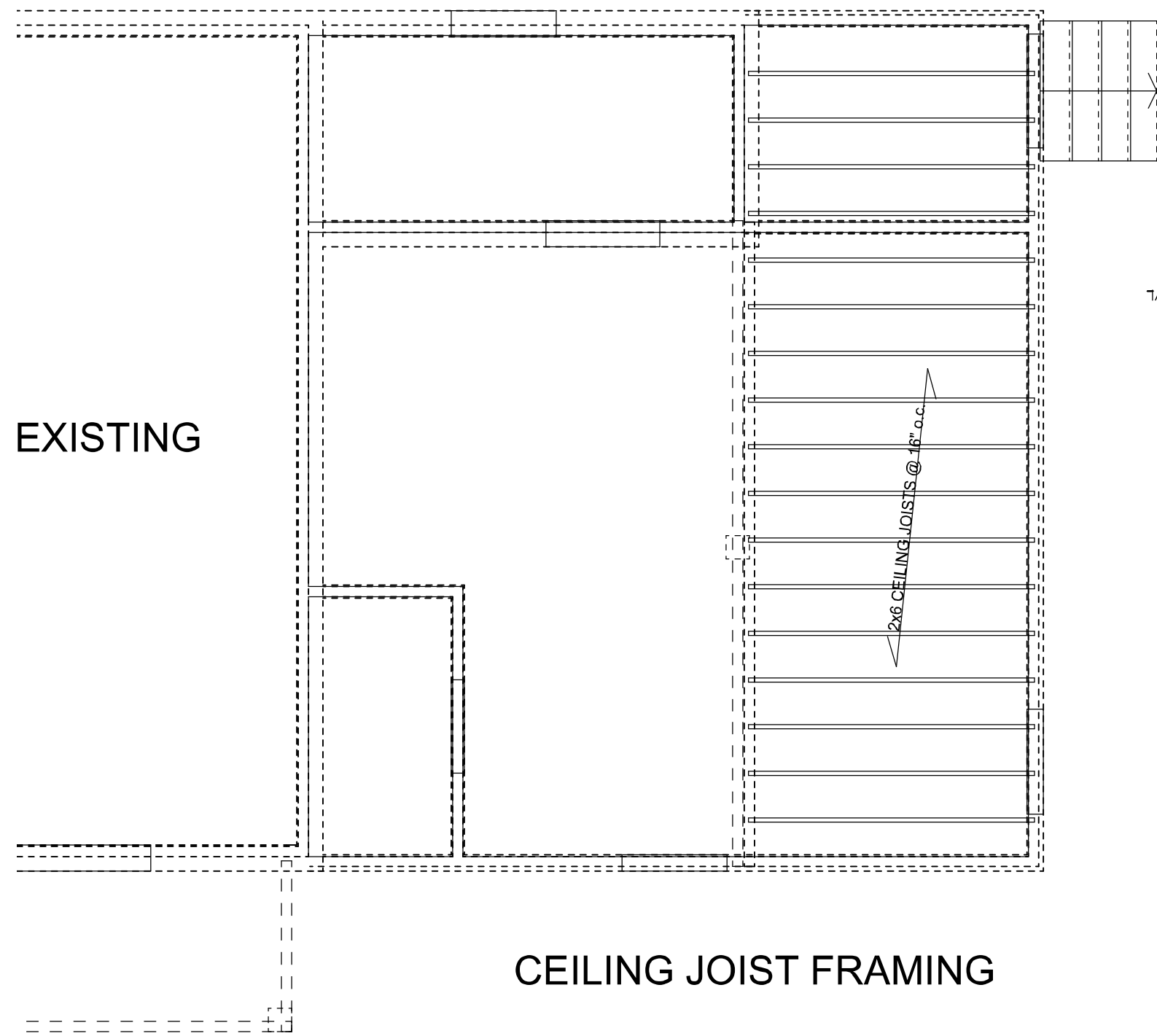
BOXED RAKE GABLE END STICK FRAMED

NOTE THAT "DORMER" STYLE THROUGH-ROOF EXHAUST VENTS MAY BE PROVIDED IN ADDITION TO OR IN LIEU OF RIDGE VENTS INDICATED.

MIN. 26 SQ. FT. (3800/150 + 25.33) VENTILATION AREA REQ'D



RIDGE VENT



CRAWL SPACE WALL DETAIL

HousePlan DesignWorks Inc. ACCEPTS NO RESPONSIBILITY, LIABILITY OR PART OF ANY LEGAL ACTION RELATED TO DOCUMENTATION SUPPLIED BY OWNER / CONTRACTOR FOR PREPARING THIS DRAWING THAT MAY BE COPY RIGHTED BY ANOTHER PARTY. ALL MATERIALS USED TO PRODUCE THIS DRAWING ARE TO BE CONSIDERED TO BE RESEARCHED BY OWNER / CONTRACTOR FOR ANY COPYRIGHT & AS REQUIRED BY LAW, THE OWNER / CONTRACTOR HAS OBTAINED APPROVAL FROM ANY ORIGINATING COPYRIGHT OWNER(S) KNOWN OR UNKNOWN BY HousePlan DesignWorks Inc.

COPYRIGHT © ALL RIGHTS RESERVED BY HousePlan DesignWorks Inc. NOT TO BE COPIED OR REPRODUCED WITHOUT WRITTEN PERMISSION.